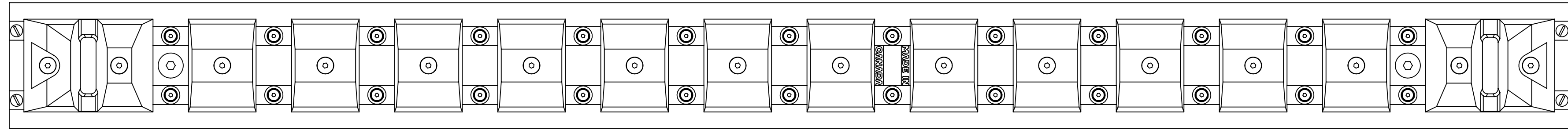
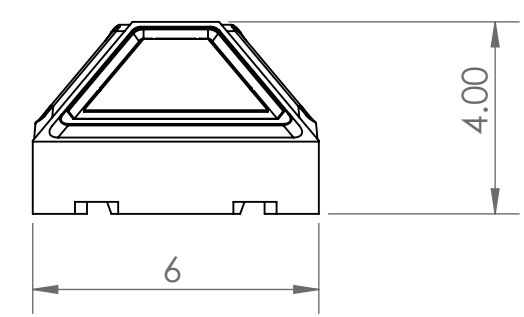
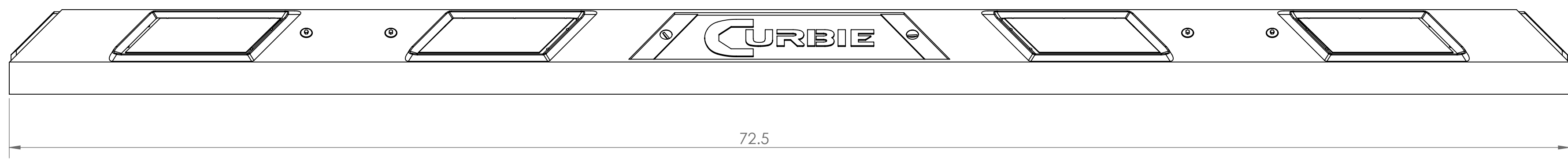
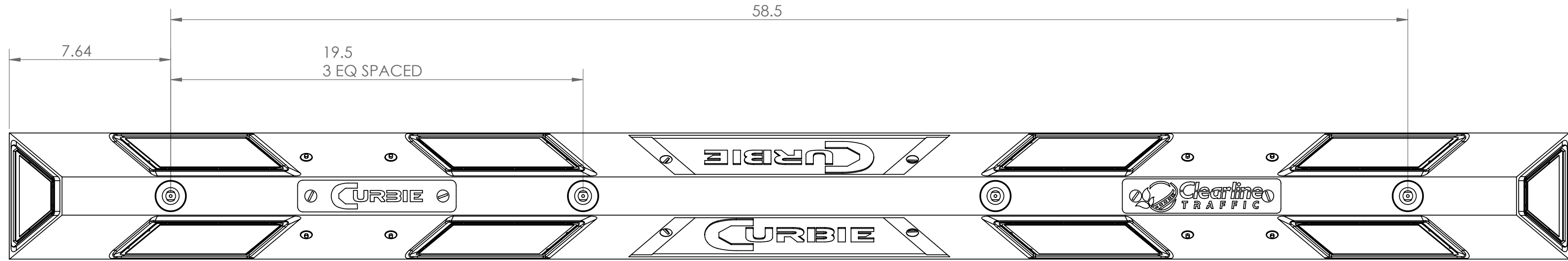
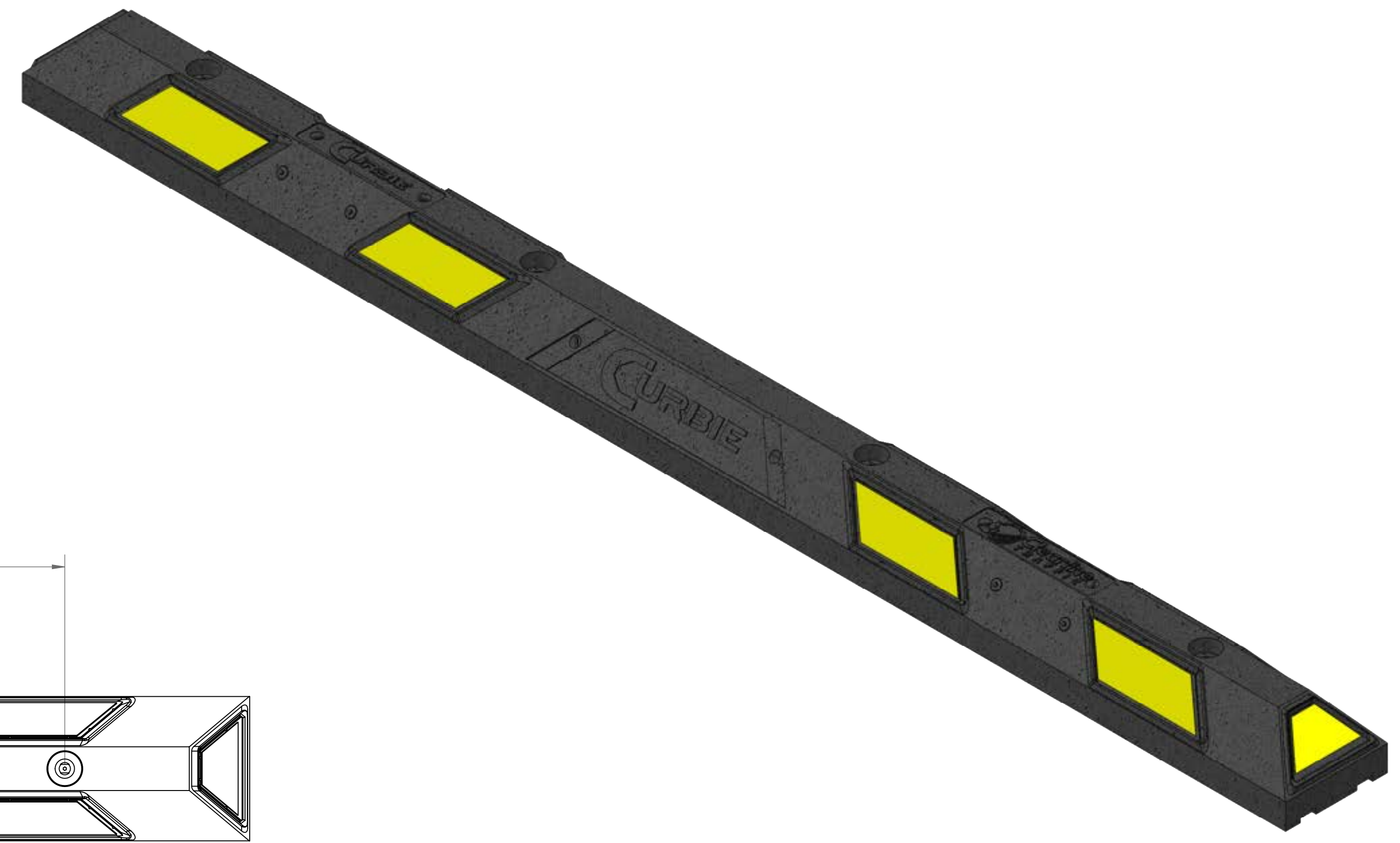


8 7 6 5 4 3 2 1

PROPRIETARY AND CONFIDENTIAL
 THE INFORMATION CONTAINED IN THIS DRAWING IS THE SOLE
 PROPERTY OF CLEARLINE TECHNOLOGY.
 ANY REPRODUCTION IN PART OR AS A WHOLE WITHOUT THE WRITTEN
 PERMISSION OF CLEARLINE TECHNOLOGY IS PROHIBITED.



NOTES:
 1. ALL DIMENSIONS COULD VARY UP TO $\pm 2\%$

STATUS MFG UNLESS OTHERWISE SPECIFIED: DRAWING STANDARD ASME Y14.5 THIRD ANGLE PROJECTION DIMENSIONS ARE IN INCHES AND (MM) WEIGHT IS IN POUNDS TOLERANCES: ANGLE +0.5° X +0.1 IN X.X +0.02 IN X.XX +0.01 IN X.XXX +0.005 IN	MATERIAL	1205 Sherwin Rd. Winnipeg, MB, Canada R3H 0V1 ph: +1.204.786.3334 engineering@clearline.ca	DESCRIPTION CURBIE 6 FEET, YELLOW	SIZE
	FINISH			REV
DRAWN BY: Alex V.	DATE: 2021_07	PART NUMBER TC6Y_00	SCALE: 1:4	WEIGHT: 36.65
APPROVED BY: Alex V.	DATE: 2021_07	SHEET 1 OF 1		

8 7 6 5 4 3 2 1