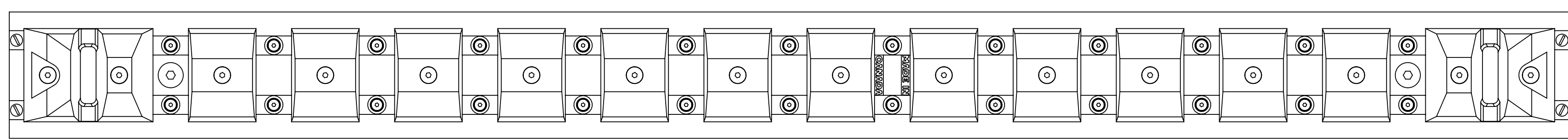
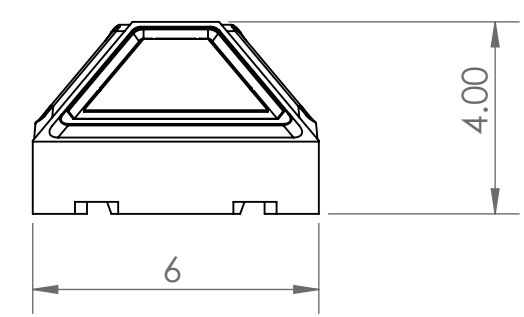
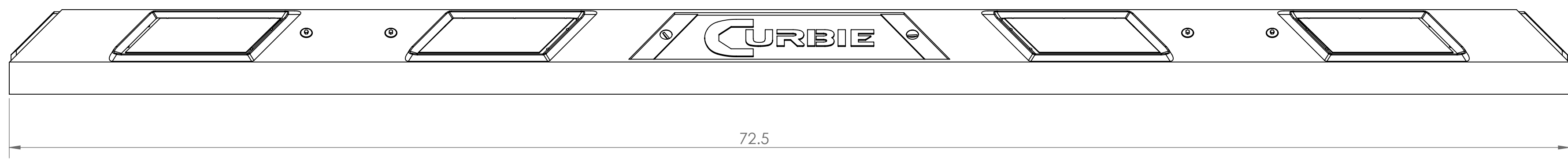
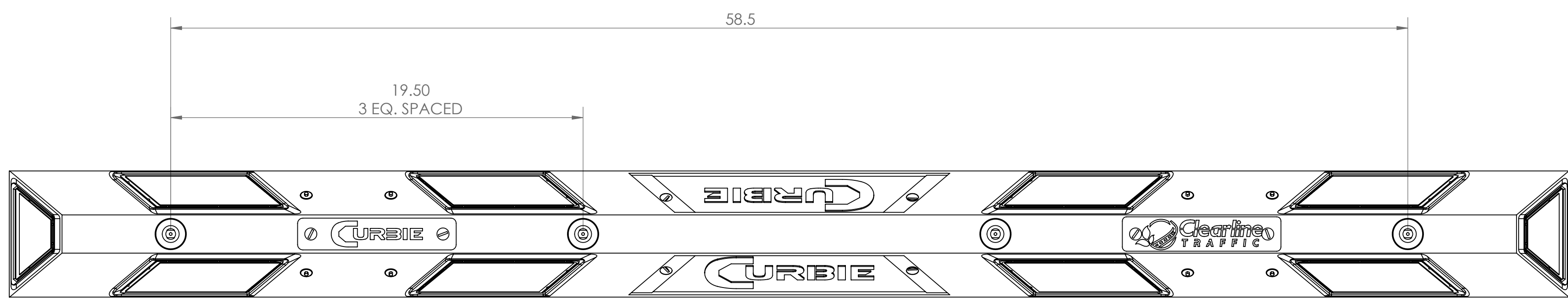
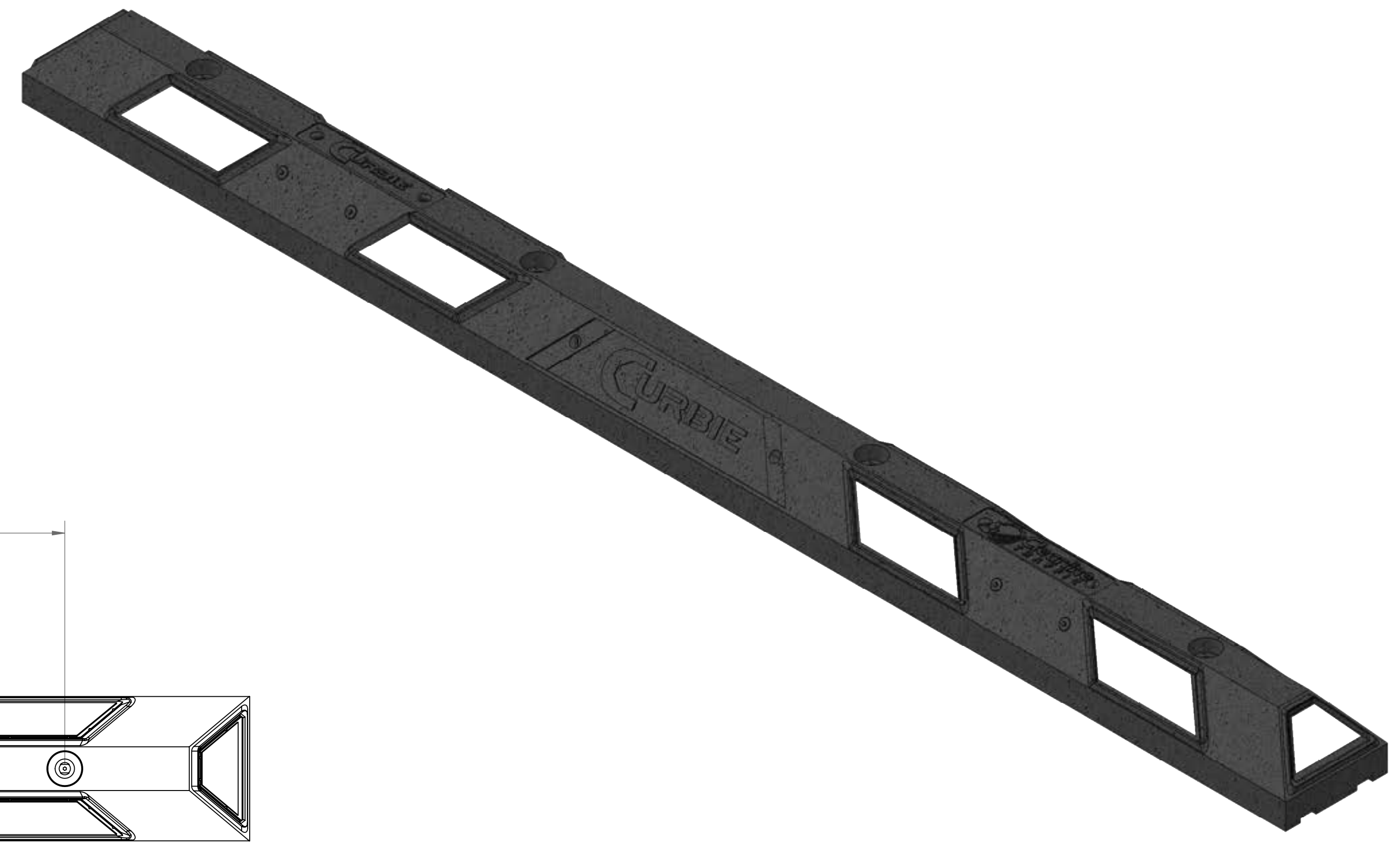



8 7 6 5 4 3 2 1

PROPRIETARY AND CONFIDENTIAL  
 THE INFORMATION CONTAINED IN THIS DRAWING IS THE SOLE  
 PROPERTY OF CLEARLINE TECHNOLOGY.  
 ANY REPRODUCTION IN PART OR AS A WHOLE WITHOUT THE WRITTEN  
 PERMISSION OF CLEARLINE TECHNOLOGY IS PROHIBITED.



**NOTES:**  
 1. ALL DIMENSIONS COULD VARY UP TO ±2%

STATUS MFG UNLESS OTHERWISE SPECIFIED: DRAWING STANDARD ASME Y14.5 THIRD ANGLE PROJECTION DIMENSIONS ARE IN INCHES AND (MM) WEIGHT IS IN POUNDS TOLERANCES: ANGLE     +0.5° X           ±0.1 IN X.X       ±0.02 IN X.XX      ±0.01 IN X.XXX     ±0.005 IN	MATERIAL	 1205 Sherwin Rd. Winnipeg, MB, Canada R3H 0V1 ph: +1.204.786.3334 engineering@clearline.ca	DESCRIPTION	SIZE
	FINISH		CURBIE 6 FEET, WHITE PART NUMBER TC6W_00	D REV
DRAWN BY: Alex V.	DATE: 2021_07	APPROVED BY: Alex V.	DATE: 2021_07	SCALE: 1:4 WEIGHT: 36.65 SHEET 1 OF 1

8 7 6 5 4 3 2 1