

8

7

6

5

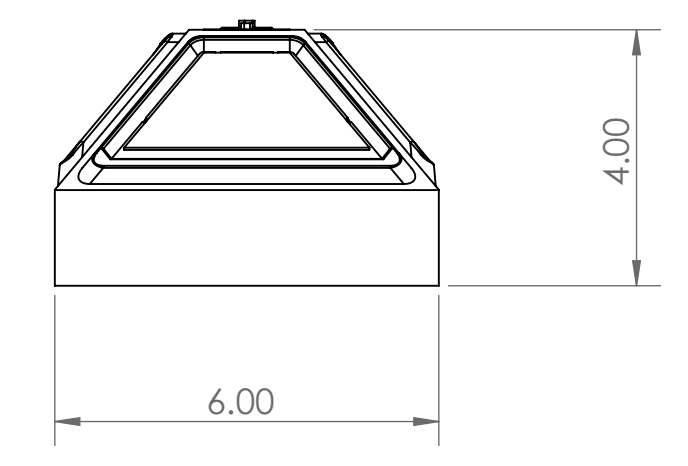
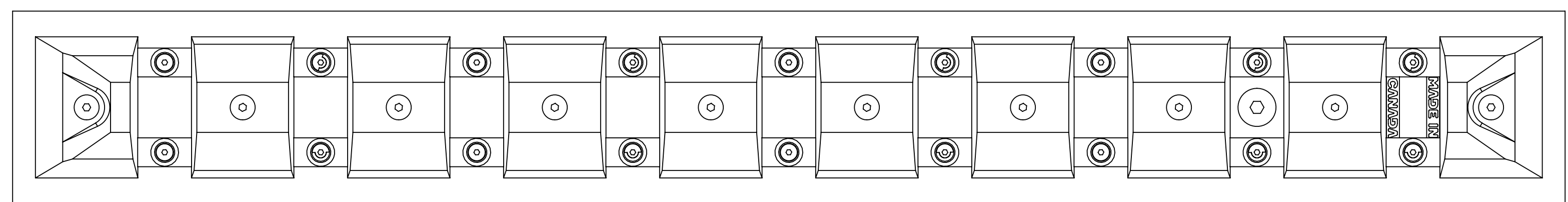
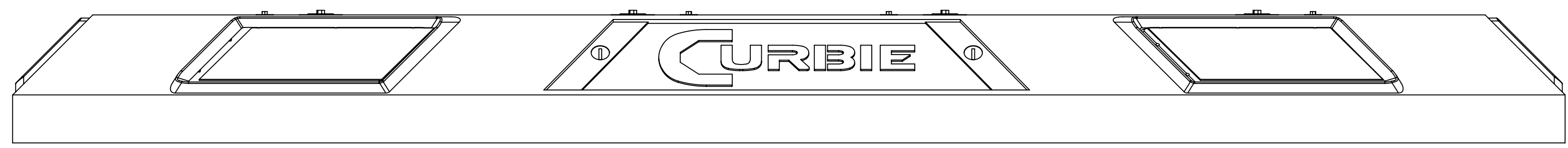
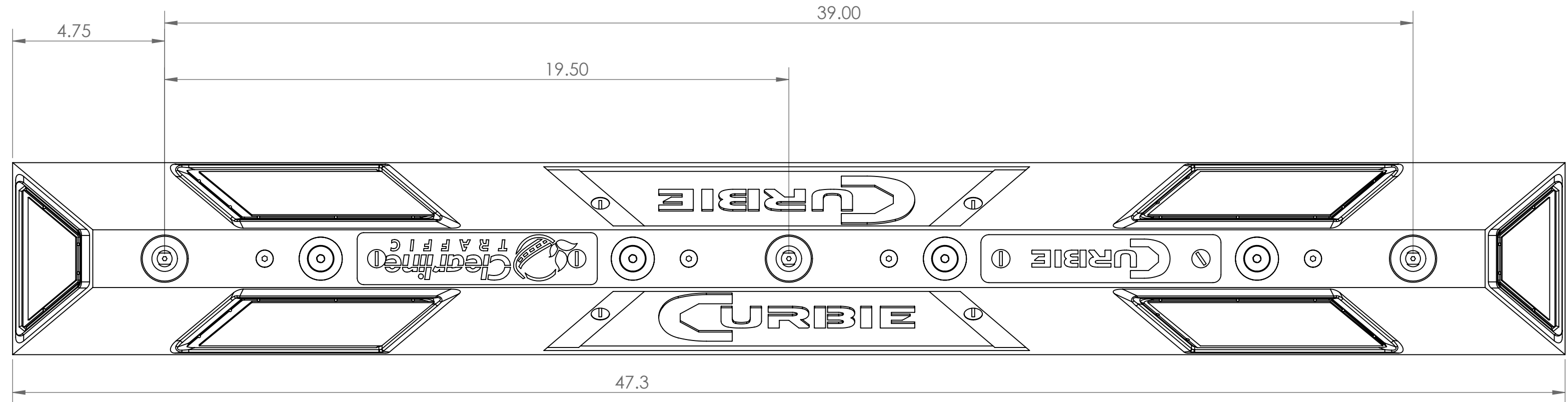
4

3


2

1

PROPRIETARY AND CONFIDENTIAL  
THE INFORMATION CONTAINED IN THIS DRAWING IS THE SOLE  
PROPERTY OF CLEARLINE TECHNOLOGY.  
ANY REPRODUCTION IN PART OR AS A WHOLE WITHOUT THE WRITTEN  
PERMISSION OF CLEARLINE TECHNOLOGY IS PROHIBITED.



**NOTES:**  
1. ALL DIMENSIONS COULD VARY UP TO ±2%

|   |   |  |   |      |
|---|---|--|---|------|
| STATUS<br>Prototype<br>UNLESS OTHERWISE SPECIFIED:<br>DRAWING STANDARD ASME Y14.5<br>THIRD ANGLE PROJECTION<br>DIMENSIONS ARE IN INCHES<br>AND (MM)<br>WEIGHT IS IN POUNDS<br>TOLERANCES:<br>ANGLE           +0.5°<br>X                +0.1 IN<br>X.X             +0.02 IN<br>X.XX           +0.01 IN<br>X.XXX          +0.005 IN | MATERIAL                                      |  1205 Sherwin Rd.<br>Winnipeg, MB, Canada<br>R3H 0V1<br>ph: +1.204.786.3334<br>engineering@clearline.ca | DESCRIPTION                                     | SIZE |
|   | FINISH  |  | CURBIE 4 FEET, YELLOW<br>PART NUMBER<br>TC4Y_00 | REV  |
| DRAWN BY:<br>Designer<br>DATE<br>2020_00_00   | APPROVED BY:<br>Manager<br>DATE<br>2020_00_00 | SCALE: 1:3<br>WEIGHT: 23.53  | SHEET 1 OF 1                                    |      |

8

7

6

5

4

3

2

1