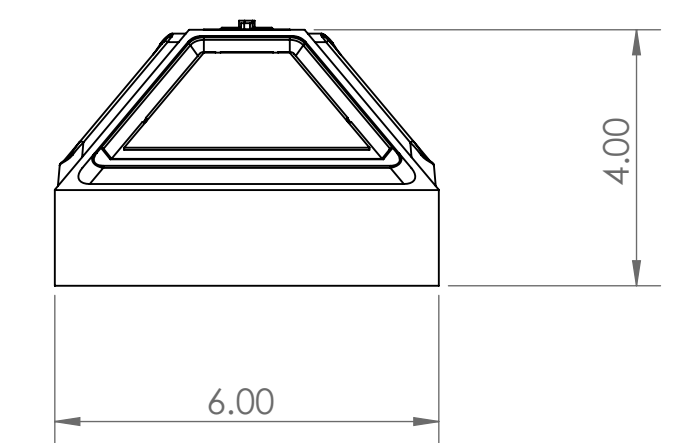
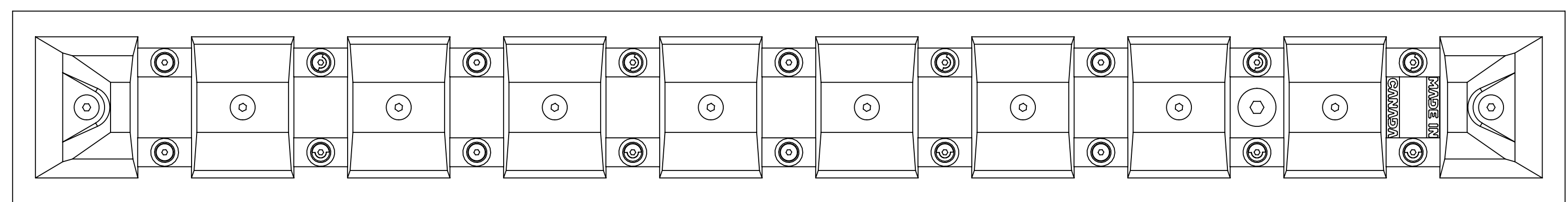
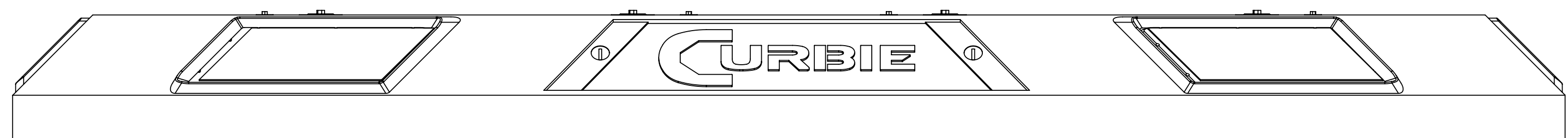
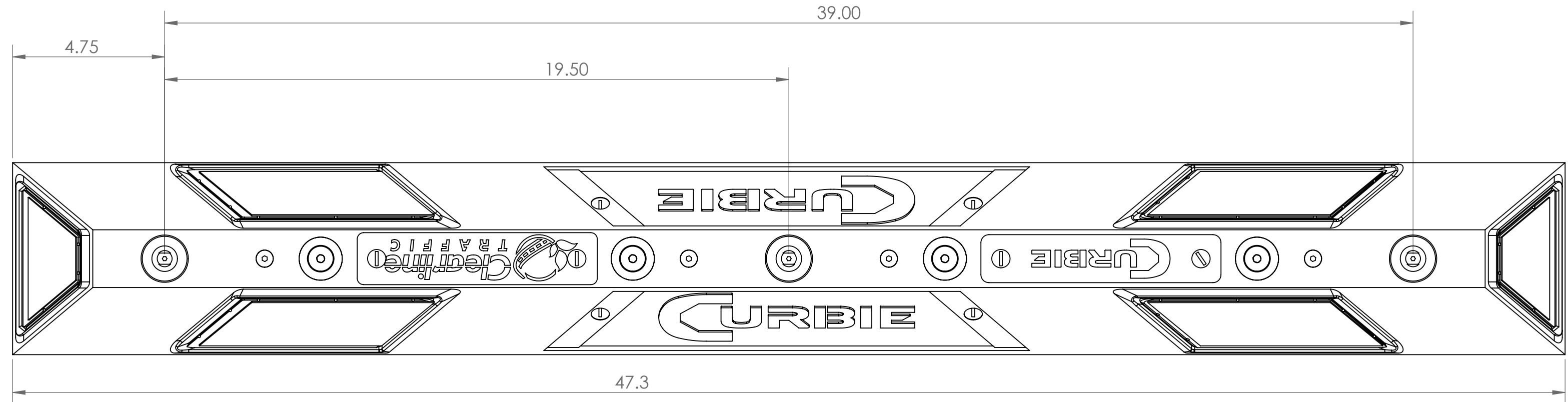


8 7 6 5 4 3 2 1

PROPRIETARY AND CONFIDENTIAL
THE INFORMATION CONTAINED IN THIS DRAWING IS THE SOLE
PROPERTY OF CLEARLINE TECHNOLOGY.
ANY REPRODUCTION IN PART OR AS A WHOLE WITHOUT THE WRITTEN
PERMISSION OF CLEARLINE TECHNOLOGY IS PROHIBITED.



NOTES:
1. ALL DIMENSIONS COULD VARY UP TO ±2%

STATUS Prototype UNLESS OTHERWISE SPECIFIED: DRAWING STANDARD ASME Y14.5 THIRD ANGLE PROJECTION DIMENSIONS ARE IN INCHES AND (MM) WEIGHT IS IN POUNDS TOLERANCES: ANGLE ±0.5° X ±0.1 IN X.X ±0.02 IN X.XX ±0.01 IN X.XXX ±0.005 IN		MATERIAL FINISH DRAWN BY: Designer DATE: 2020_00_00 APPROVED BY: Manager DATE: 2020_00_00		1205 Sherwin Rd. Winnipeg, MB, Canada R3H 0V1 ph: +1.204.786.3334 engineering@clearline.ca	
DESCRIPTION CURBIE 4 FEET, WHITE			SIZE	D	
PART NUMBER			REV	TC4W_00	
SCALE: 1:3			WEIGHT: 23.53	SHEET 1 OF 1	

8 7 6 5 4 3 2 1