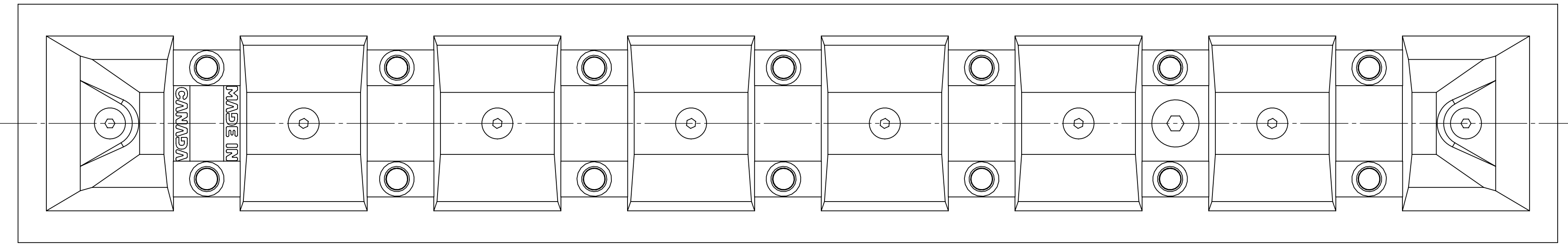
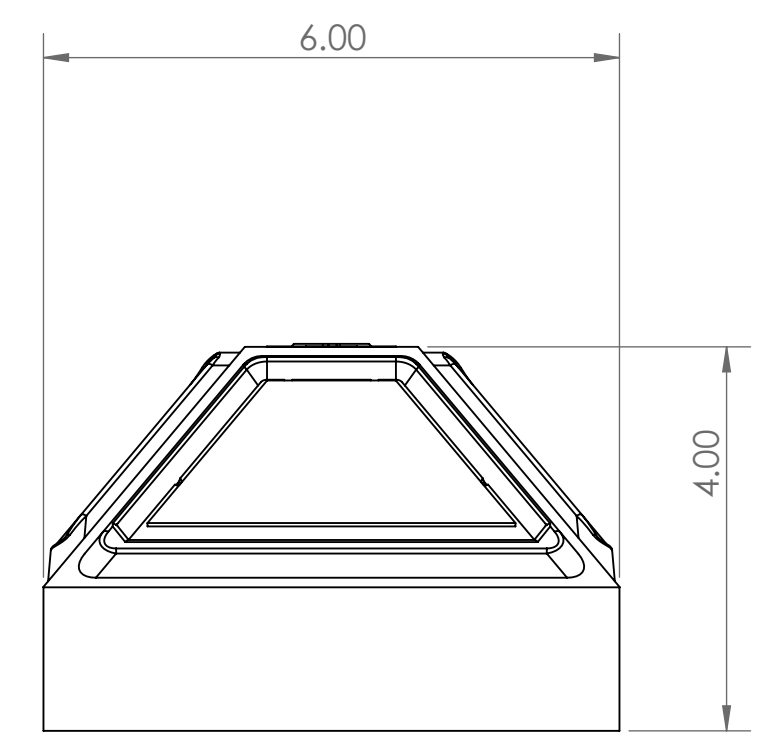
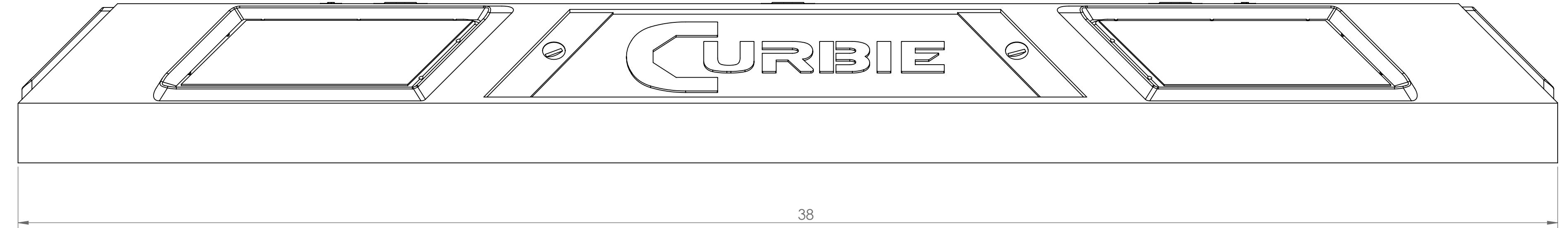
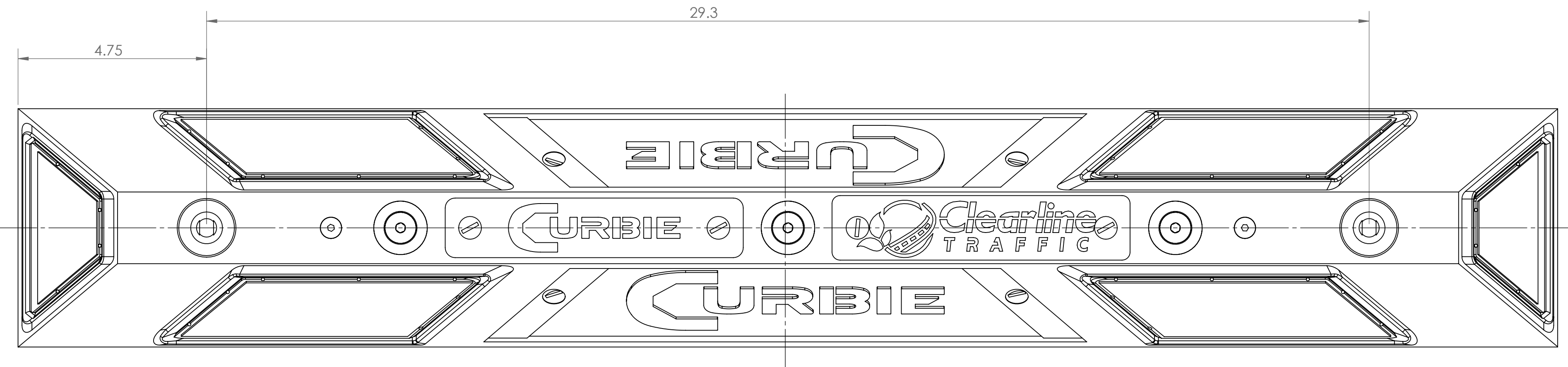
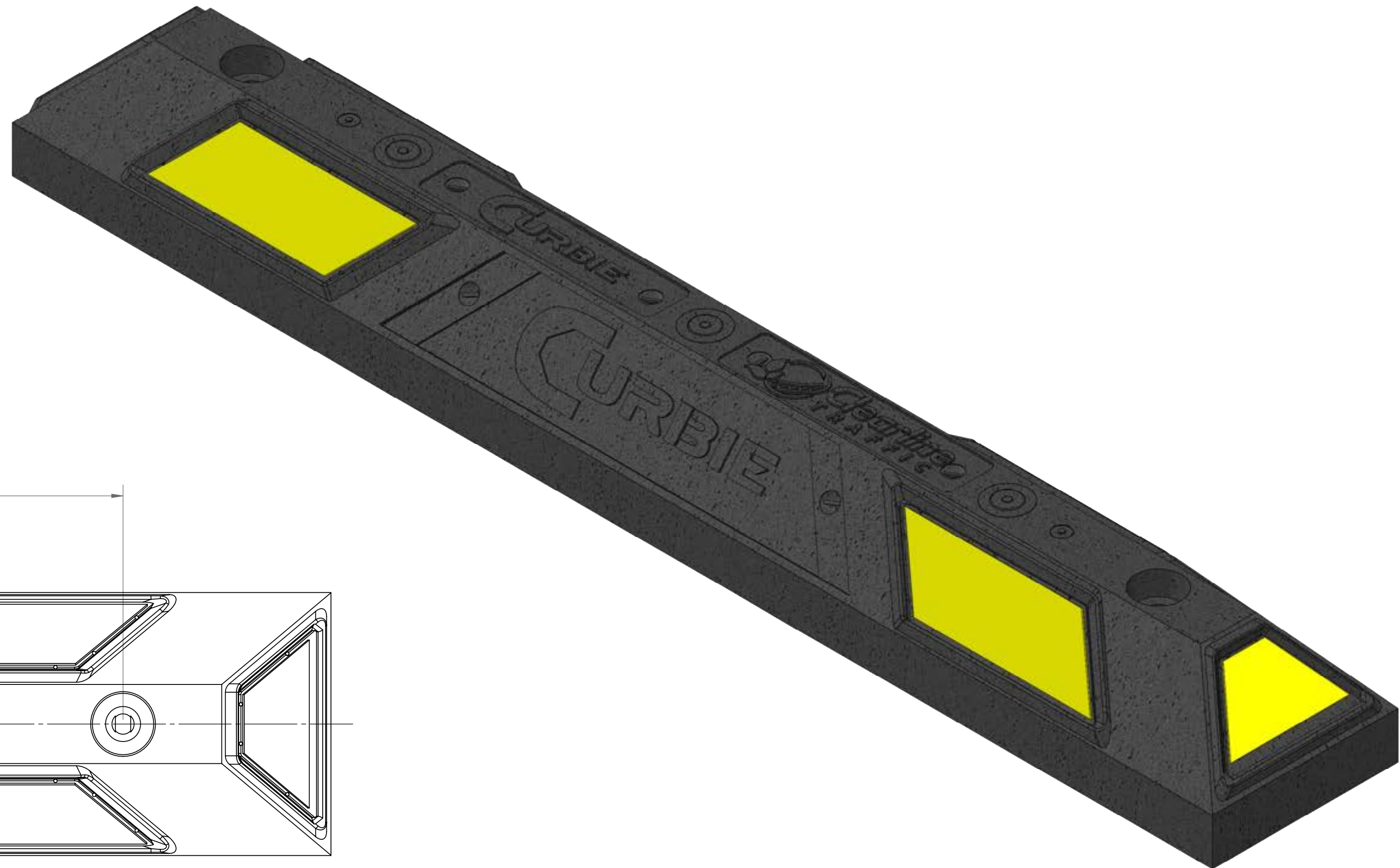


8 7 6 5 4 3 2 1

PROPRIETARY AND CONFIDENTIAL  
 THE INFORMATION CONTAINED IN THIS DRAWING IS THE SOLE  
 PROPERTY OF CLEARLINE TECHNOLOGY.  
 ANY REPRODUCTION IN PART OR AS A WHOLE WITHOUT THE WRITTEN  
 PERMISSION OF CLEARLINE TECHNOLOGY IS PROHIBITED.



**NOTES:**  
 1. ALL DIMENSIONS COULD VARY UP TO ±2%

STATUS MFG	MATERIAL	1205 Sherwin Rd. Winnipeg, MB, Canada R3H 0V1 ph: +1.204.786.3334 engineering@clearline.ca	
UNLESS OTHERWISE SPECIFIED: DRAWING STANDARD ASME Y14.5 THIRD ANGLE PROJECTION DIMENSIONS ARE IN INCHES AND (MM) WEIGHT IS IN POUNDS	FINISH	DESCRIPTION CURBIE 3 FEET, YELLOW	SIZE D
TOLERANCES: ANGLE ±0.5° X ±0.1 IN X.X ±0.02 IN X.XX ±0.01 IN X.XXX ±0.005 IN	DRAWN BY: Alex V.	DATE 2021_07	REV TC3Y_00
	APPROVED BY: Alex V.	DATE 2021_07	SCALE: 1:2 WEIGHT: 18.80 SHEET 1 OF 1

8 7 6 5 4 3 2 1