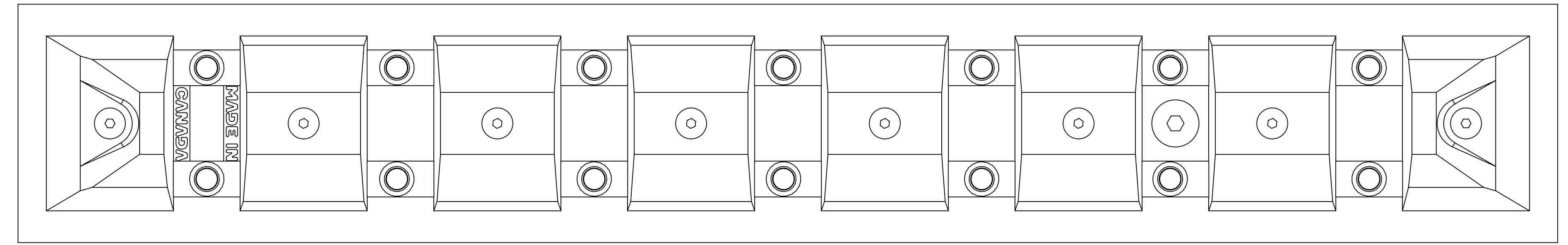
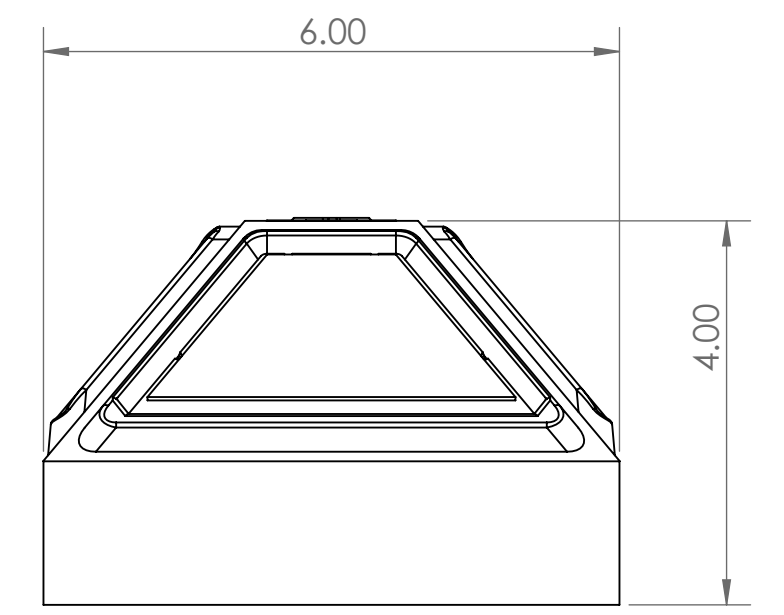
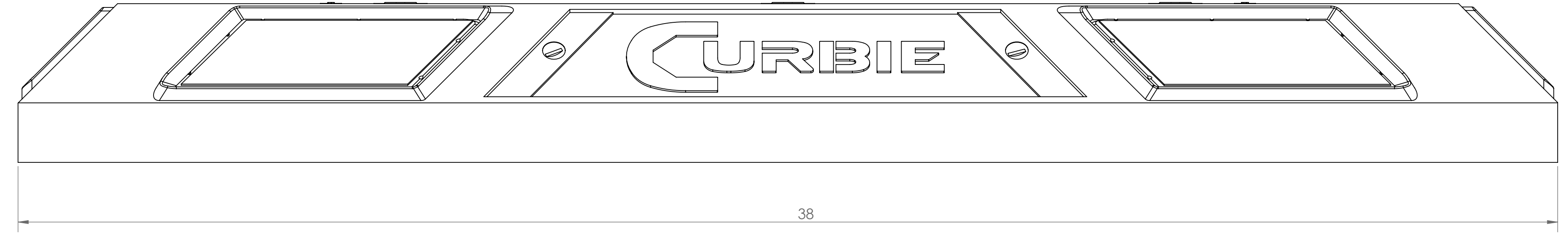
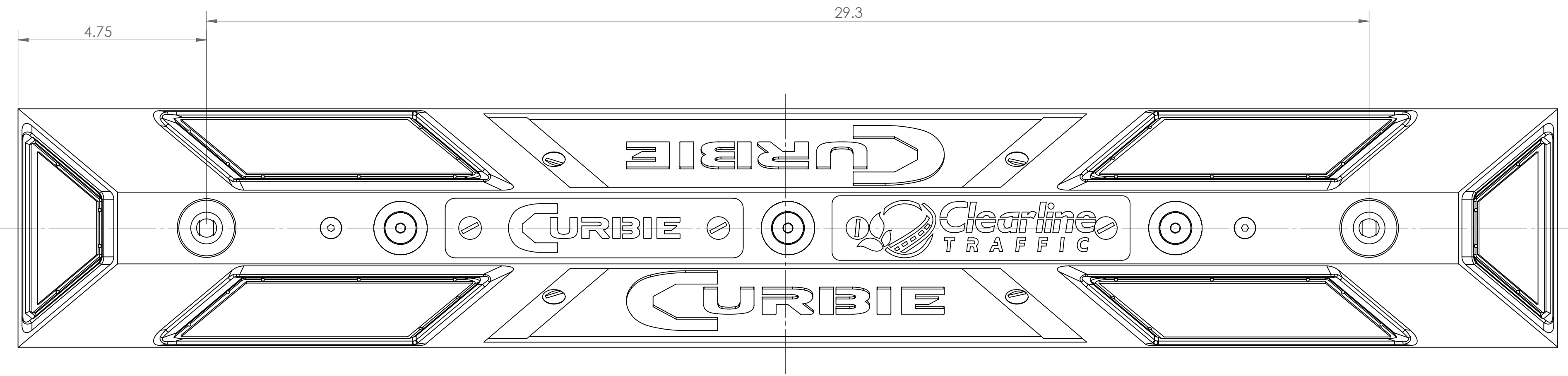
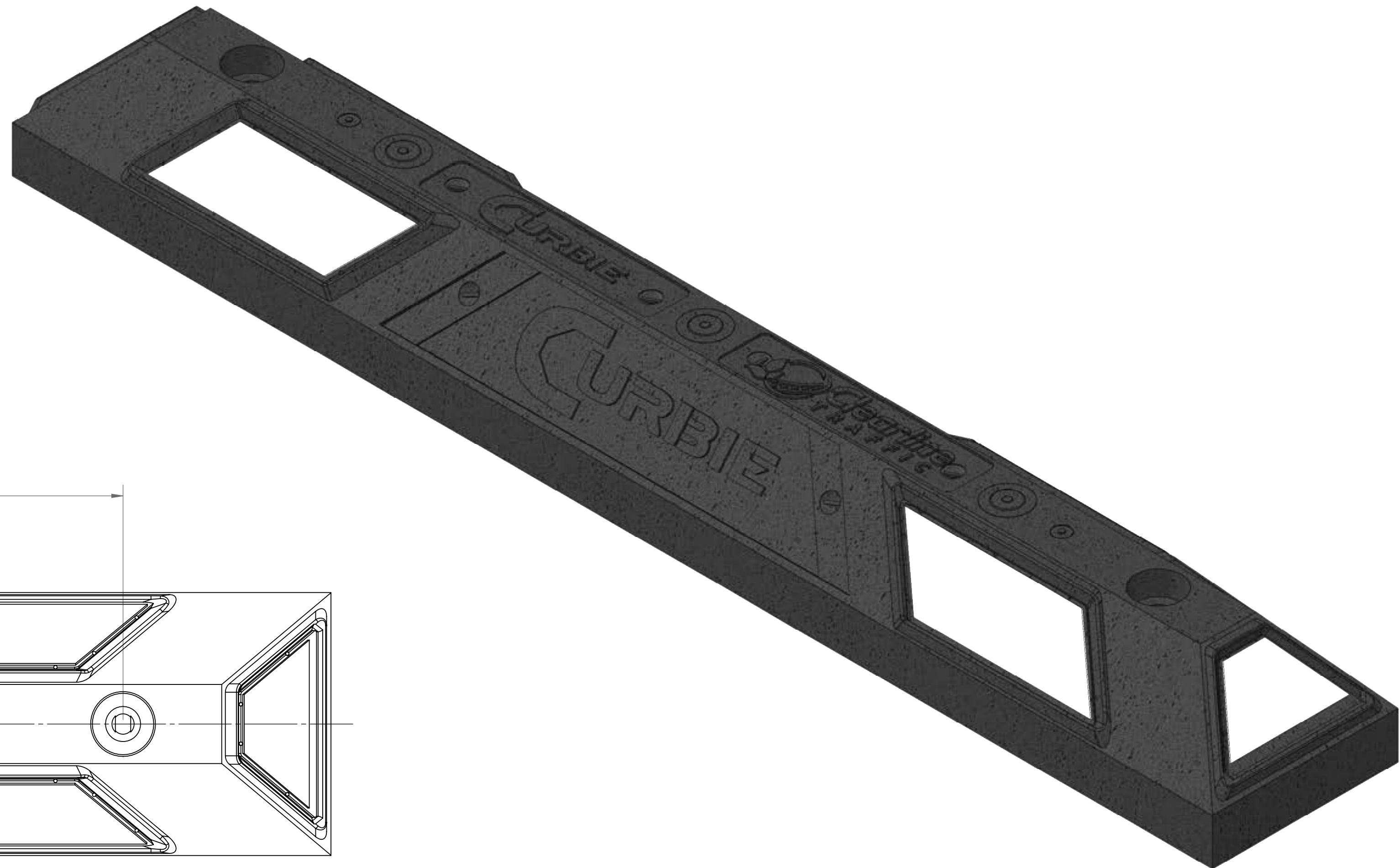


8 7 6 5 4 3 2 1

PROPRIETARY AND CONFIDENTIAL
 THE INFORMATION CONTAINED IN THIS DRAWING IS THE SOLE
 PROPERTY OF CLEARLINE TECHNOLOGY.
 ANY REPRODUCTION IN PART OR AS A WHOLE WITHOUT THE WRITTEN
 PERMISSION OF CLEARLINE TECHNOLOGY IS PROHIBITED.



NOTES:
 1. ALL DIMENSIONS COULD VARY UP TO ±2%

STATUS MFG UNLESS OTHERWISE SPECIFIED: DRAWING STANDARD ASME Y14.5 THIRD ANGLE PROJECTION DIMENSIONS ARE IN INCHES AND (MM) WEIGHT IS IN POUNDS TOLERANCES: ANGLE: +0.5° X: ±0.1 IN X.X: ±0.02 IN X.XX: ±0.01 IN X.XXX: ±0.005 IN	MATERIAL	1205 Sherwin Rd. Winnipeg, MB, Canada R3H 0V1 ph: +1.204.786.3334 engineering@clearline.ca	SIZE
	FINISH		DESCRIPTION
DRAWN BY: Alex V.	DATE: 2021_07	PART NUMBER TC3W_00	REV
APPROVED BY: Alex V.	DATE: 2021_07	SCALE: 1:2	WEIGHT: 18.80 SHEET 1 OF 1

8 7 6 5 4 3 2 1