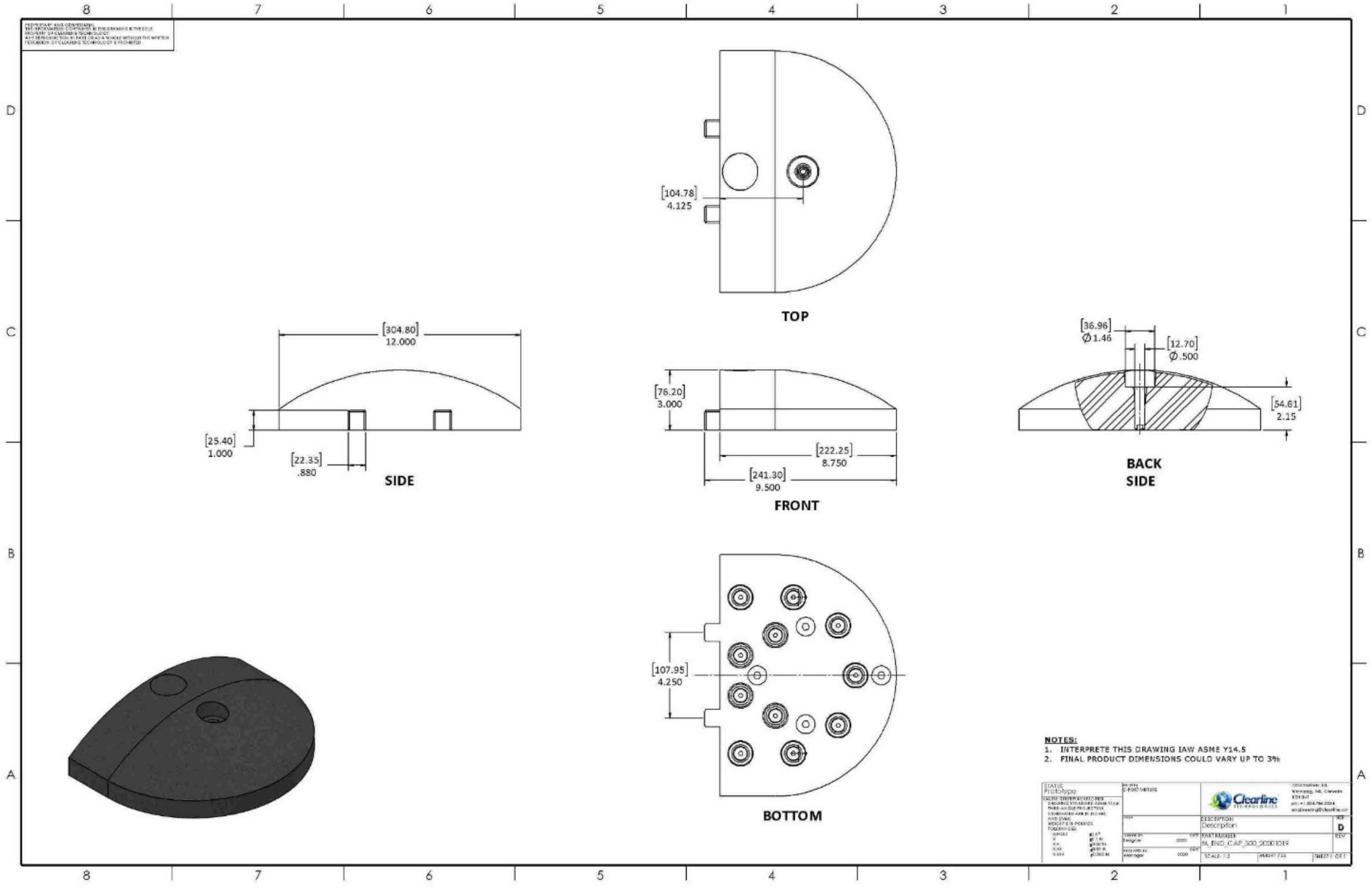


REPLICATED AND CONTAINS
 THE INFORMATION CONTAINED HEREIN IS THE PROPERTY OF CLEARLINE TECHNOLOGIES
 ANY REPRODUCTION IN PART OR AS A WHOLE WITHOUT THE WRITTEN
 PERMISSION OF CLEARLINE TECHNOLOGY IS PROHIBITED



- NOTES:**
1. INTERPRET THIS DRAWING IAW ASME Y14.5
 2. FINAL PRODUCT DIMENSIONS COULD VARY UP TO 3%

STATUS Prototype	DATE 2/20/2018	DESCRIPTION Description	REV D
DESIGNED BY MICHAEL	DATE 2/20/2018	DESCRIPTION PRINTRUSSER	REV REV
DRAWN BY MICHAEL	DATE 2/20/2018	DESCRIPTION PA_BND_CAP_300_20201819	REV REV
CHECKED BY MICHAEL	DATE 2/20/2018	SCALE SCALE: 1:1	REV REV
APPROVED BY MICHAEL	DATE 2/20/2018	SCALE SCALE: 1:1	REV REV
PART NUMBER PART: 1750		SHEET COUNT SHEET: 001	



1020 University Ave.
 Winnipeg, MB, Canada
 R3H 0V1
 PH: +1-204-786-2224
 engineering@clearline.ca