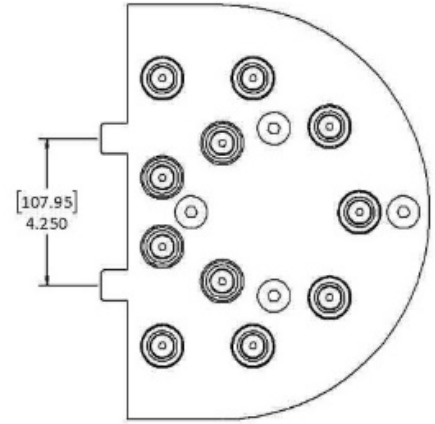
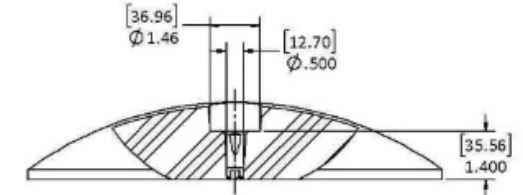
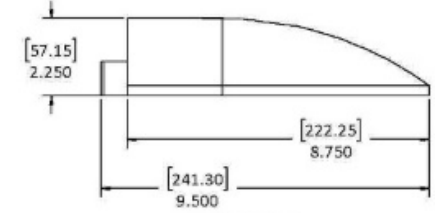
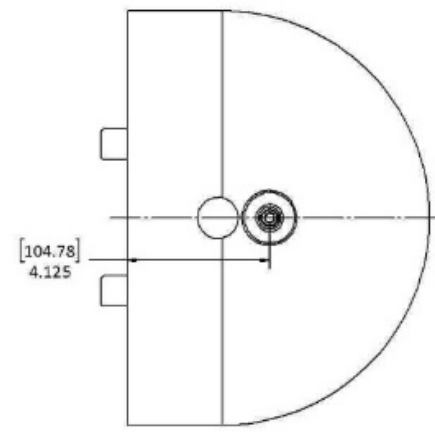
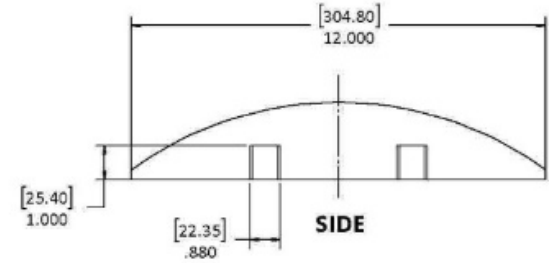
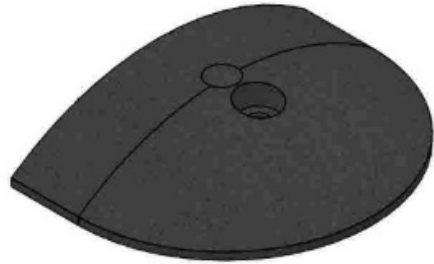


CAPABILITY AND CONFORMANCE TO THE DRAWING IS THE SOLE RESPONSIBILITY OF THE MANUFACTURER. THE MANUFACTURER SHALL BE RESPONSIBLE FOR THE PROTECTION OF THE DRAWING. ANY REVISIONS TO THE DRAWING SHALL BE MADE IN WRITING AND APPROVED BY THE DESIGNER. THE MANUFACTURER SHALL BE RESPONSIBLE FOR THE PROTECTION OF THE DRAWING. ANY REVISIONS TO THE DRAWING SHALL BE MADE IN WRITING AND APPROVED BY THE DESIGNER.

8 7 6 5 4 3 2 1

D  
C  
B  
A



- NOTES:**
1. INTERPRETE THIS DRAWING IAW ASME Y14.5
  2. FINAL PRODUCT DIMENSIONS COULD VARY UP TO 3%

STATUS	DATE	BY	DESCRIPTION
PRODUCTION	01/11/2025	0000	M_BND_CAP_225_20201019
REVISIONS	DATE	BY	DESCRIPTION
1	01/11/2025	0000	ISSUE FOR MANUFACTURE
2	01/11/2025	0000	ISSUE FOR MANUFACTURE
3	01/11/2025	0000	ISSUE FOR MANUFACTURE
4	01/11/2025	0000	ISSUE FOR MANUFACTURE
5	01/11/2025	0000	ISSUE FOR MANUFACTURE
6	01/11/2025	0000	ISSUE FOR MANUFACTURE
7	01/11/2025	0000	ISSUE FOR MANUFACTURE
8	01/11/2025	0000	ISSUE FOR MANUFACTURE



8 7 6 5 4 3 2 1

D  
C  
B  
A