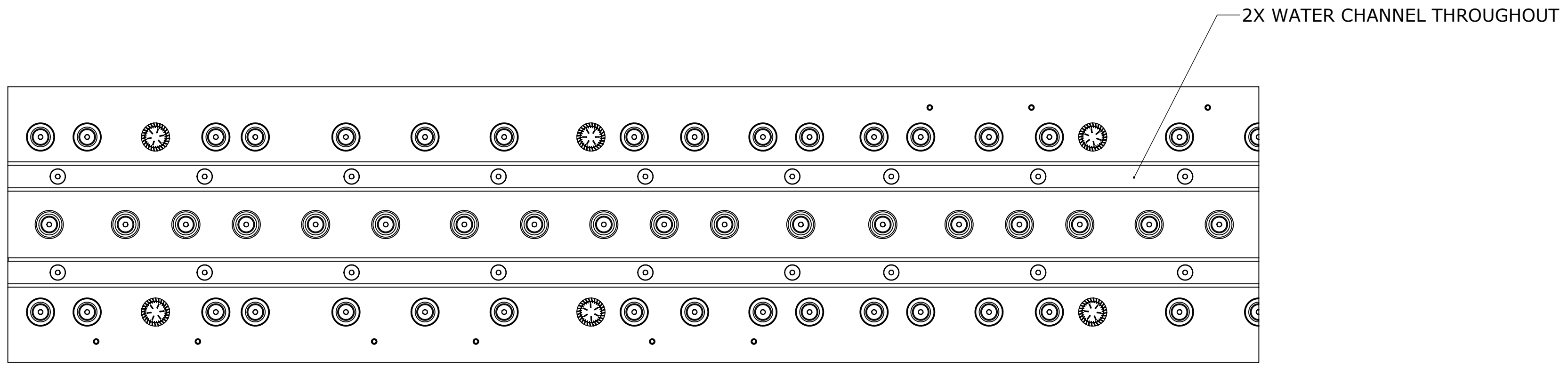
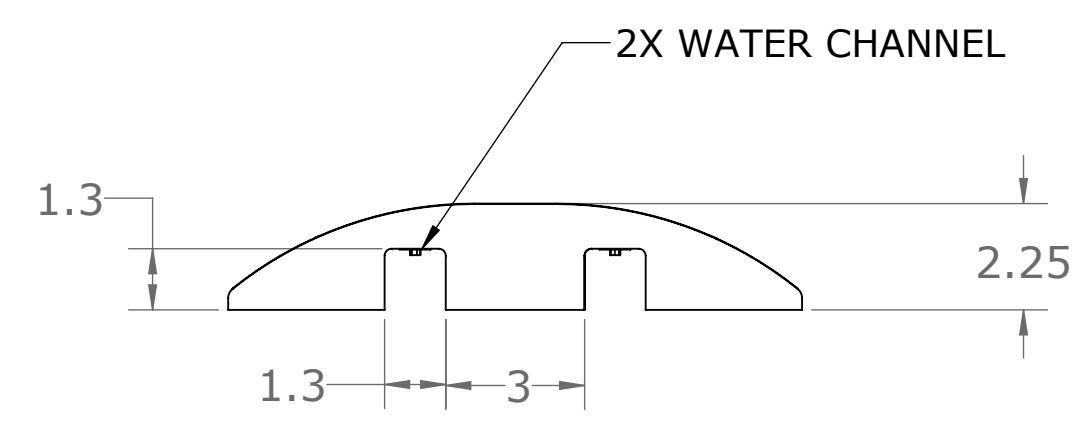
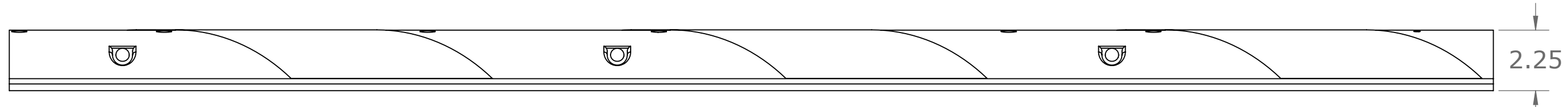
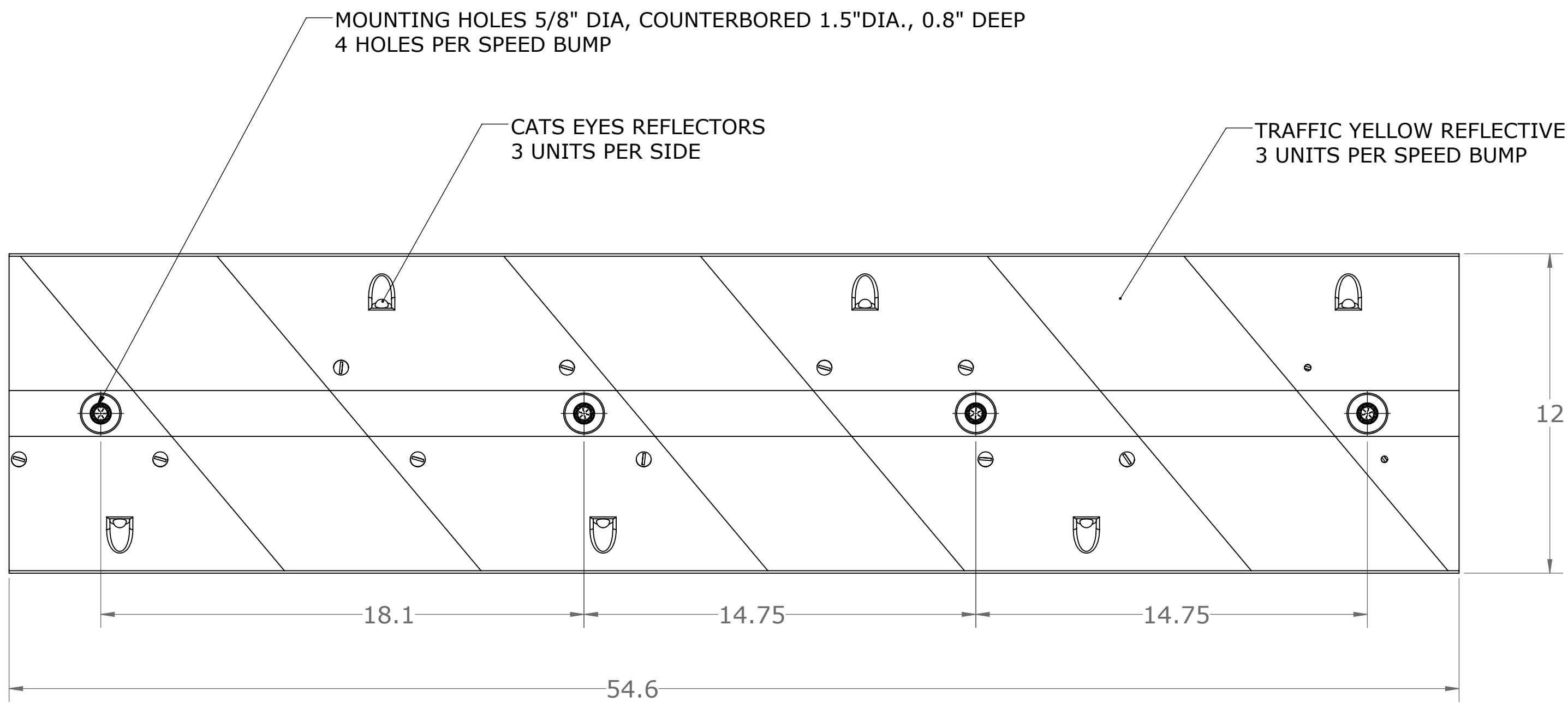
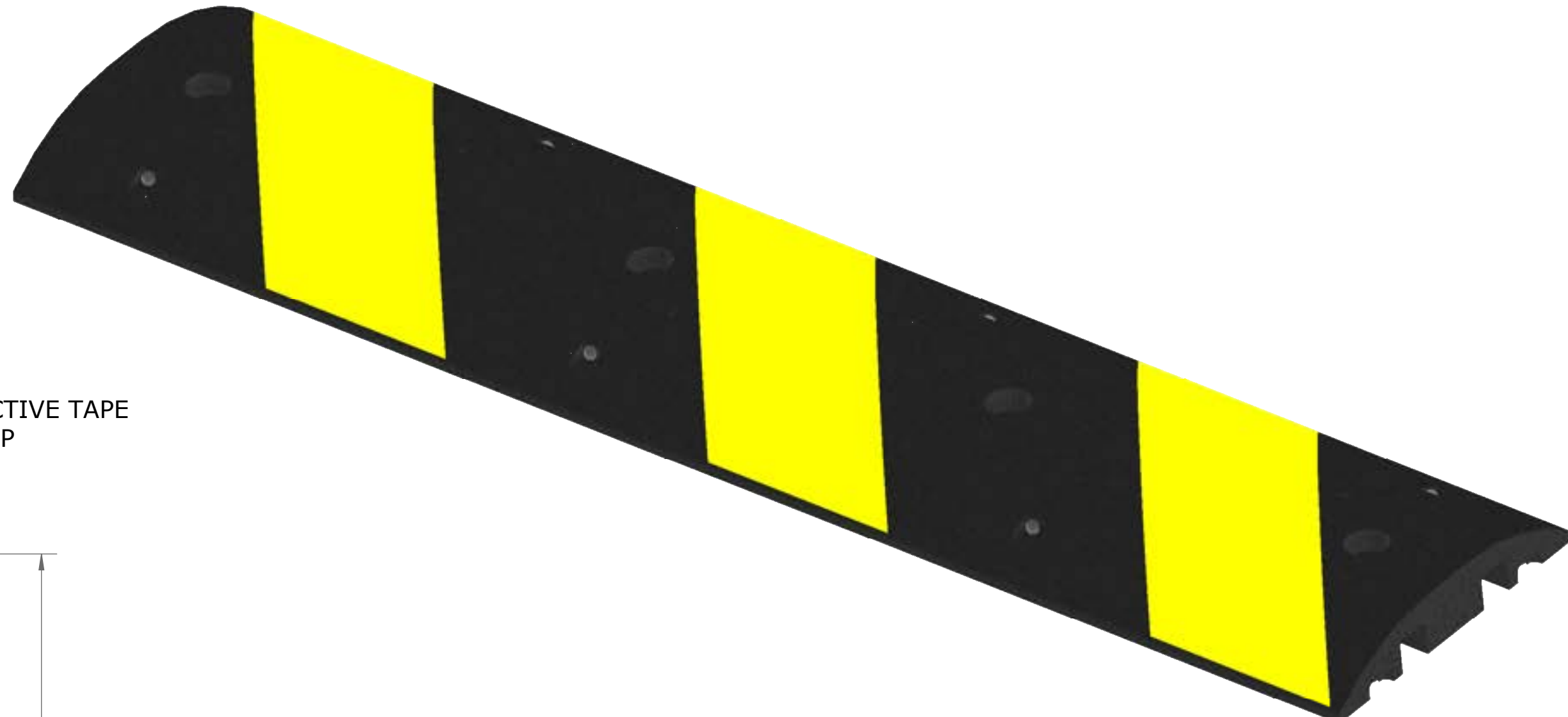


PROPRIETARY AND CONFIDENTIAL
THE INFORMATION CONTAINED IN THIS DRAWING IS THE SOLE
PROPERTY OF CLEARLINE TECHNOLOGY.
ANY REPRODUCTION IN PART OR AS A WHOLE WITHOUT THE WRITTEN
PERMISSION OF CLEARLINE TECHNOLOGY IS PROHIBITED.

BMP54



NOTES:
WEIGHT OF PRODUCT: 38 LBS
ALL DIMENSIONS CAN VARY UP TO +/- 2%
THIS PRODUCT IS COMPATIBLE WITH **BMPEC** (SPEED BUMP END CAP)

STATUS MFG UNLESS OTHERWISE SPECIFIED: DRAWING STANDARD ASME Y14.5 THIRD ANGLE PROJECTION DIMENSIONS ARE IN INCHES AND (MM) WEIGHT IS IN POUNDS TOLERANCES: ANGLE: +0.5° X: ±0.1 IN X.X: ±0.02 IN X.XX: ±0.01 IN X.XXX: ±0.005 IN	MATERIAL: 100% Recycled Rubber with Yellow Reflective Tape and Reflective Cat Eyes	1205 Sherwin Rd. Winnipeg, MB, Canada R3H 0V1 ph: +1.204.786.3334 engineering@clearline.ca
	FINISH: PS DRAWN BY: PS APPROVED BY: SG	DATE: 2022, 08, 04 DATE: 2022, 08, 04